

Lenox Cabinet Large — Installation Option A

Lenox Medicine Cabinet

Installation Option A

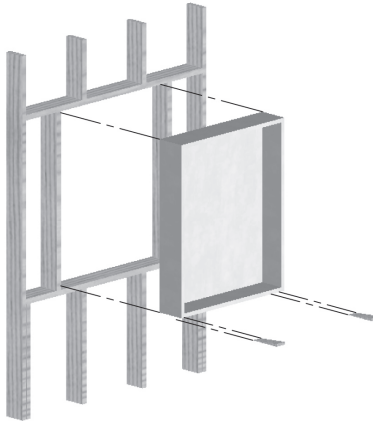
Install Marble Box behind drywall

Wall Finish: Paint, Paper or Tile

1. Marble Box is to be installed in a studded wall framed to receive the box. Rough opening in studded frame should be $\frac{1}{2}$ " larger than the box.

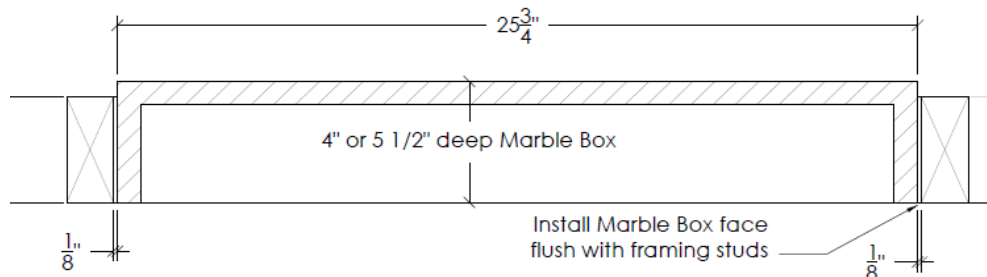
Box Outside Dims:
 31 $\frac{3}{4}$ " H x 25 $\frac{3}{4}$ " W
 Box Thickness: 4 or 5 $\frac{1}{2}$ "

Studded Frame opening:
 32" x 26"

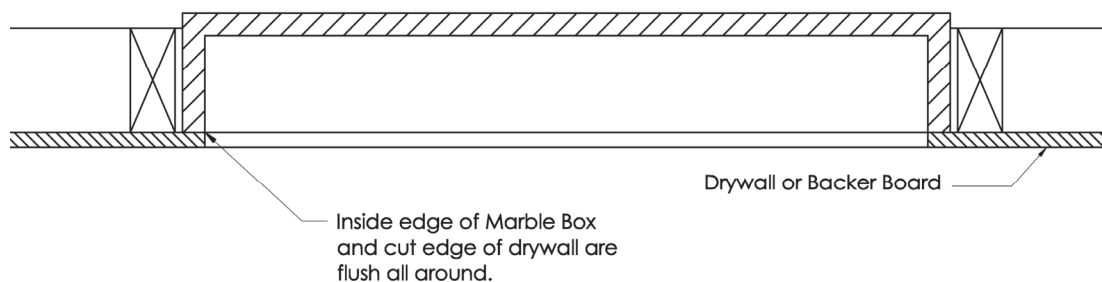


Level box with shims at corners only!
Using shims at center may crack marble.

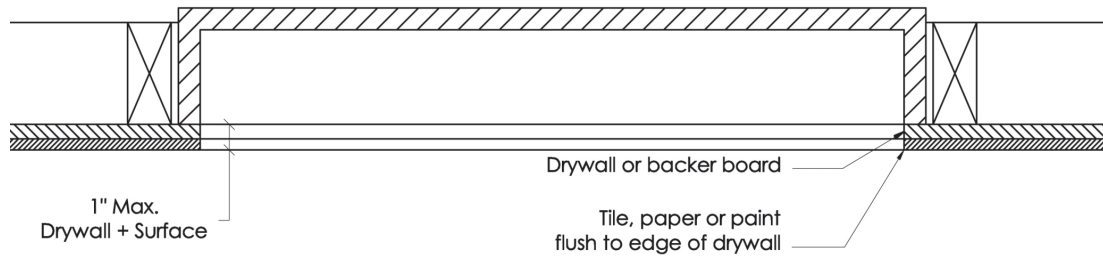
2. Set Marble Box in wall so front edge of box is flush with studded frame. Use construction adhesive to secure box in the frame. Use adhesive that will provide 20 minutes of work time.



3. Install Drywall so that it covers the front edge of the Marble Box. Drywall cutout dimensions are the same as the interior dimensions of the Marble Box (24 $\frac{1}{4}$ " x 30 $\frac{3}{8}$ "). The front edge of the box should not be visible.



4. Install tile, paper or paint up to the edge of drywall. The combined thickness of drywall & tile must not exceed 1" to insure the Lenox frame conceals these edges.



5. There is a ball-catch on the Lenox frame, which secures the door. For the catch to operate properly, a notch must be ground into the tile or drywall prior to frame installation. (See Fig 5.1) In order to mark the correct location for the notch, temporarily insert the Lenox Frame into the opening and mark the ball catch mechanism location. Clearance for the final shimming of the frame should be considered when positioning the notch. After marking the position, remove the Lenox frame.

Next, carefully cut the notch, making sure that the Lenox frame will cover the notch at final installation. Since the notch must allow the catch to function properly, when the door opens and closes, it may be necessary to slightly undercut the back end of the notch for clearance with the ball catch mechanism. (See Fig 5.2 & 5.3)

Do not cut the notch too large, or the Lenox frame will not cover the hole.

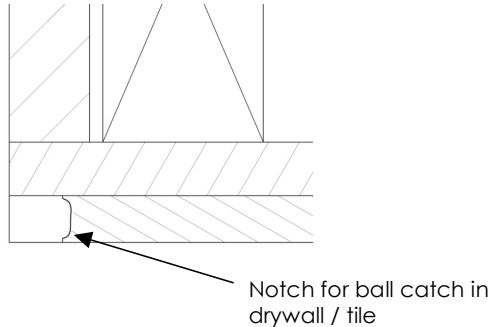


Fig 5.1

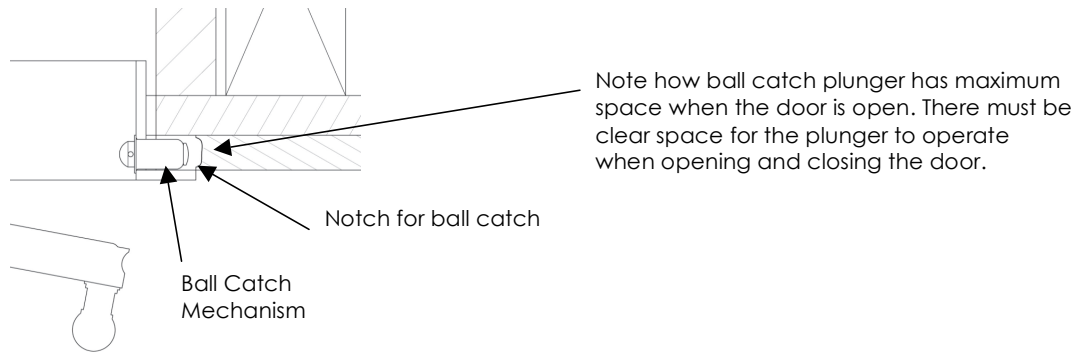
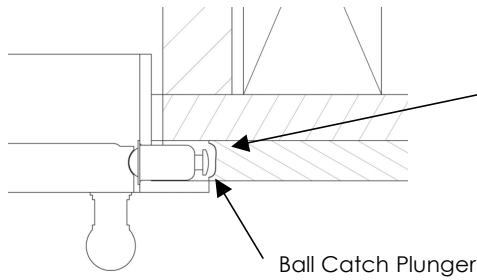


Fig 5.2 Door Open



Note how ball catch plunger projects towards drywall / tile when opening and closing the door. There must be clear space for this or else the frame may be damaged.

Fig 5.3 Door Closed

6. Go to section Installing Cabinet Frame.